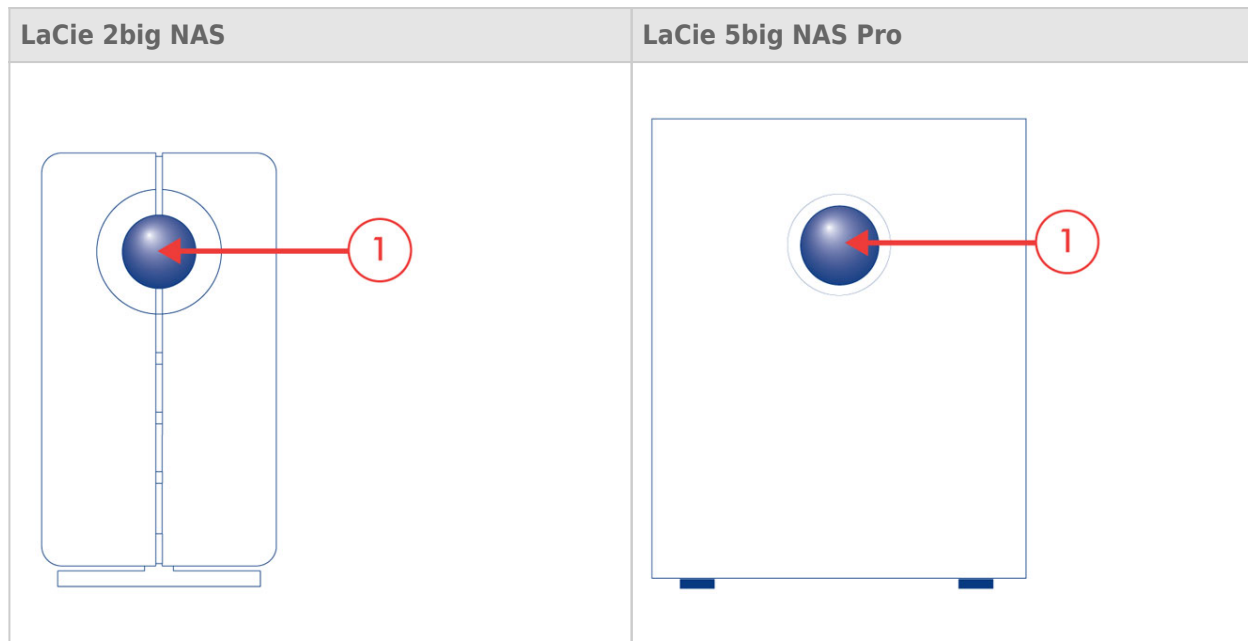


# VIEWS OF THE PRODUCT

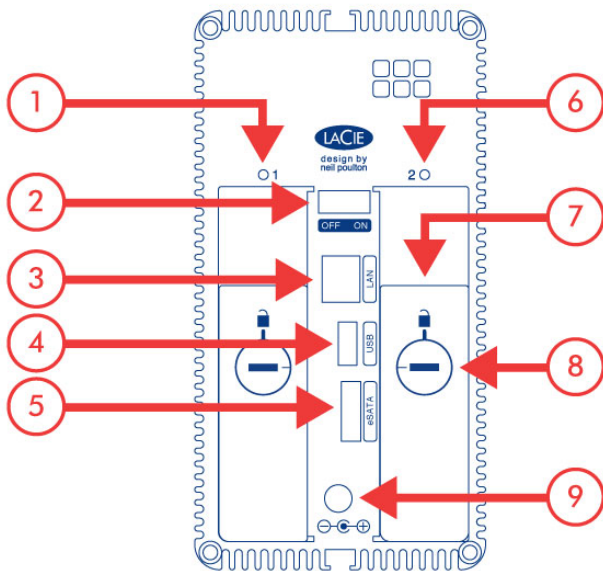
## FRONT VIEW



1. **Front LED button:** The LED button signals the status and health of the device. For further details, see [LED Behavior and Button Functions](#).

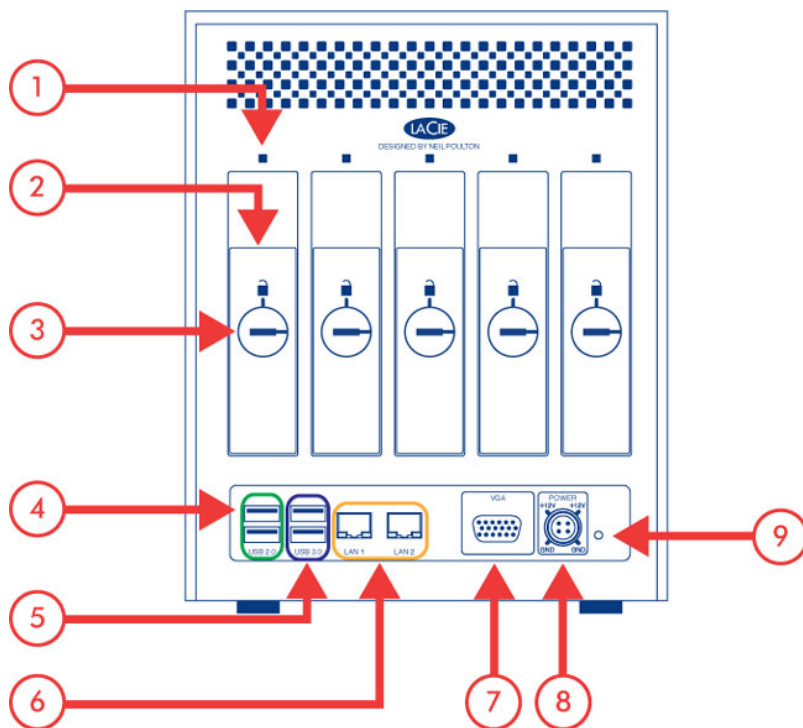
## REAR VIEW

### LaCie 2big NAS



1. Left drive status LED (see [LED Behavior and Button Functions](#))
2. ON/OFF
3. Gigabit Ethernet
4. USB 2.0 expansion
5. eSATA expansion
6. Right drive status LED (see [LED Behavior and Button Functions](#))
7. Drive tray handle
8. Drive lock
9. Power connector

## LaCie 5big NAS Pro



1. Drive status LED (see [LED Behavior and Button Functions](#))
2. Drive tray handle
3. Drive lock
4. USB 2.0 expansion (x2)
5. USB 3.0 expansion (x2)
6. Gigabit Ethernet (x2)
7. VGA port (for maintenance)
8. Power connector
9. Reset button (see [LaCie NAS Rescue: 5big NAS Pro](#))