

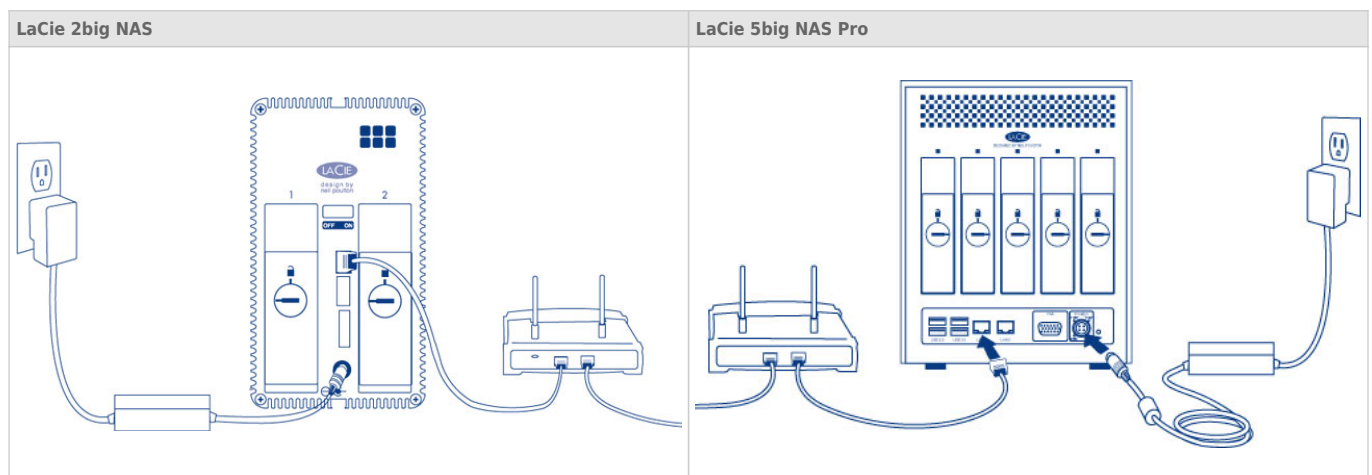
CONNECT TO THE NETWORK

Connect your LaCie NAS to a network.

Enclosure without disks: If you purchased an enclosure that did not include disks, go to [Connect to the Network: Diskless LaCie 2big NAS](#) or [Connect to the Network: Diskless LaCie 5big NAS Pro](#) for instructions on how to connect to your device to the network.

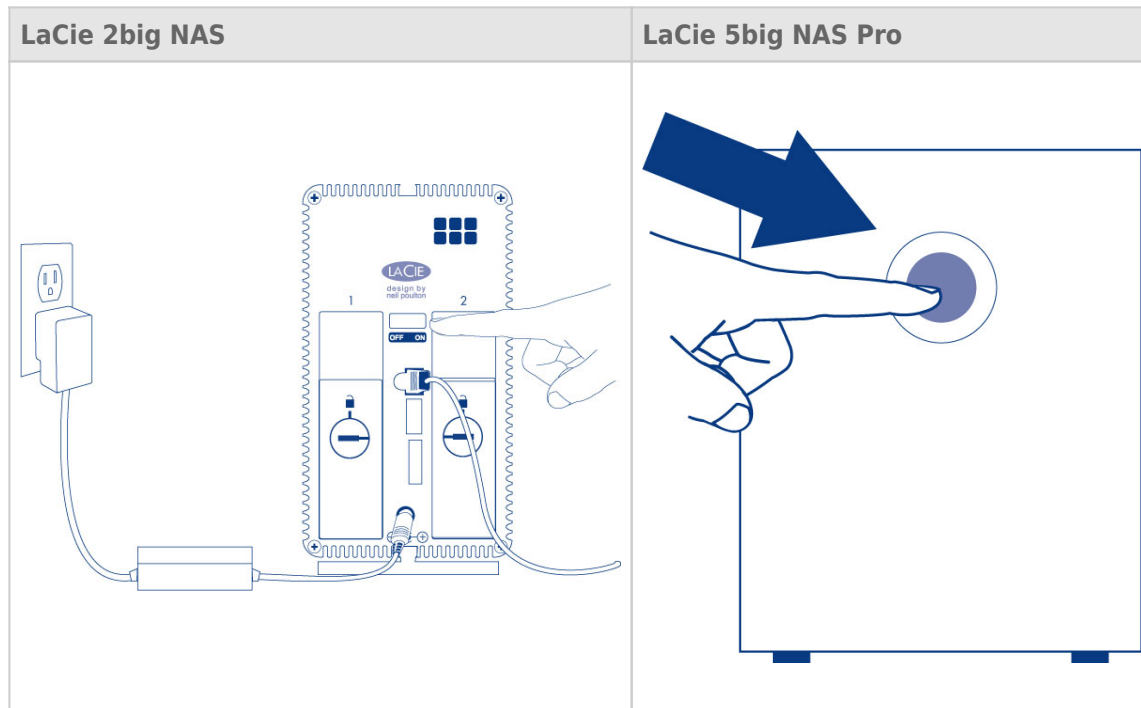
Step 1: Connect the Ethernet cable and power supply

1. Connect the Ethernet cable to the Ethernet port on the back of the product and to an available Ethernet port on your router. Refer to your router's documentation if necessary.
2. Connect the power supply to a wall outlet and to the product.



Step 2: Power on the LaCie NAS

1. Power on the device.
 - LaCie 2big NAS: Push the power button on the back of the device to the **ON** position.
 - LaCie 5big NAS Pro: Lightly push the the front LED button.
2. The front LED will turn on and then begin blinking. The device is ready to be accessed once the LED has turned solid blue. Your LaCie NAS may take up to three minutes to boot.



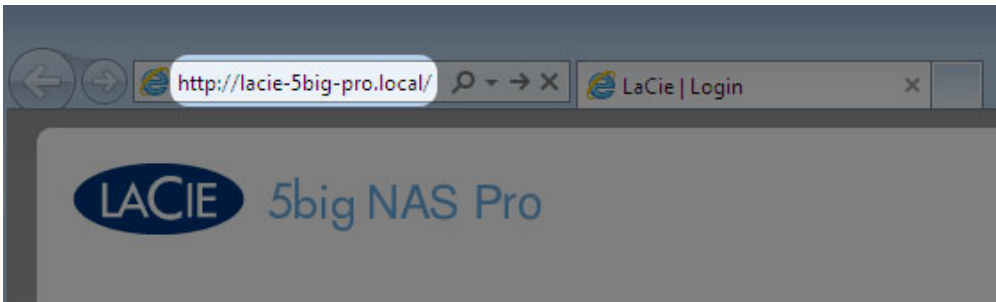
Caution: Only use the AC adapter supplied with your specific LaCie device. Do not use a power supply from another LaCie device or another manufacturer. Using any other power cable or power supply may cause damage to the device and void your warranty. Always remove the AC adapter before transporting your LaCie device. Failure to remove the adapter may result in damage and will void your warranty.

Step 3: Access the LaCie NAS Dashboard

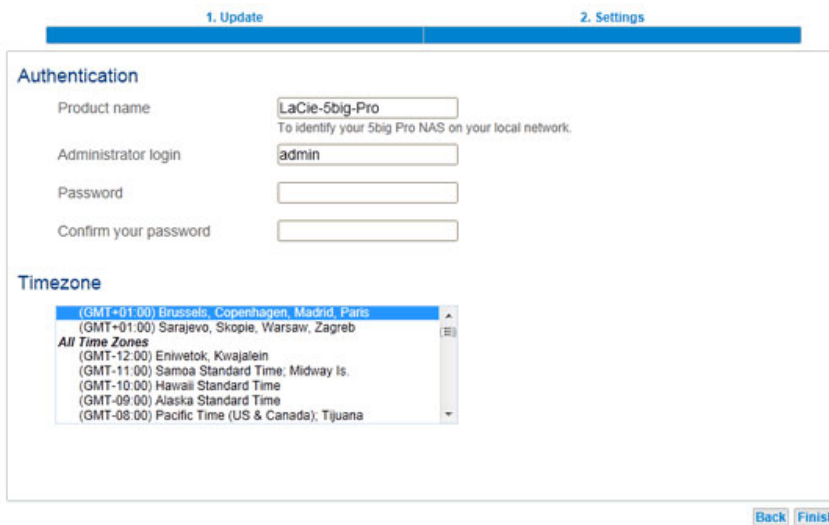
Note: The steps below should be completed by the administrator of the device.

Perform the steps below on a PC/Mac connected to the same network as your LaCie NAS:

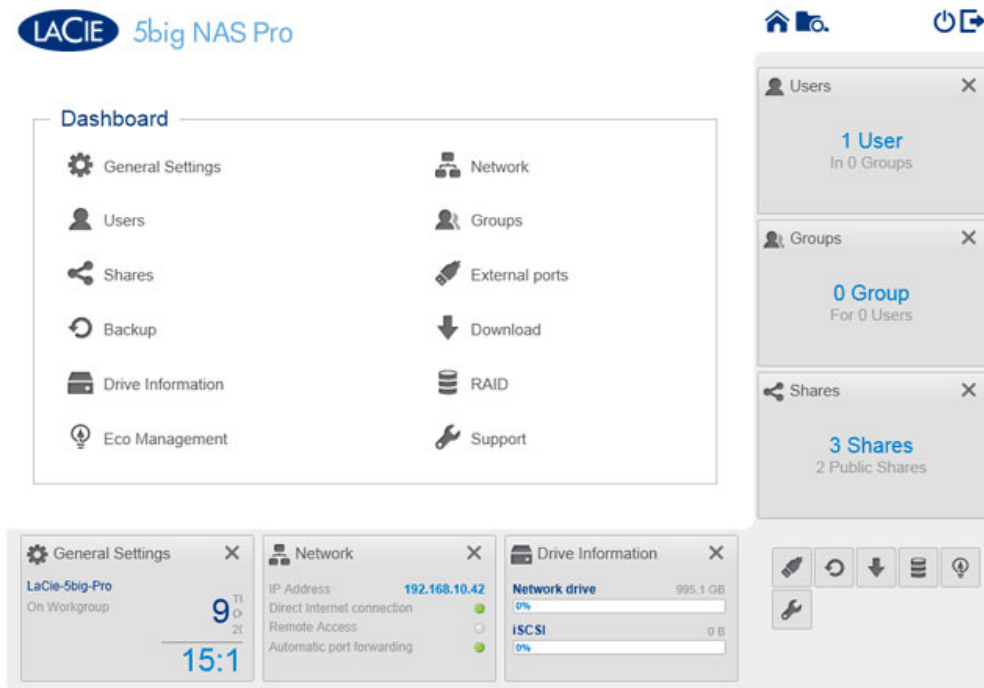
1. Launch your preferred internet browser and type the default address for the LaCie NAS:
 - *Windows workstations (no Bonjour)* - <http://lacie-2big-nas> or <http://lacie-5big-pro>
 - *Mac OS X and Windows workstations running Bonjour* - <http://lacie-2big-nas.local> or <http://lacie-5big-pro.local>.



2. The Dashboard administration tool will prompt you to create an administrator password.



3. You may also change:
 - The name of the device (the defaults are *LaCie-2big-NAS* or *LaCie-5big-Pro*).
 - The administrator login (the default is *admin*).
 - The time zone.
4. Make certain to note your login and password for future use.
5. Choose **Finish**. You will be taken to the Dashboard home page.



NEXT STEPS

- **Simplify NAS access:** LaCie recommends that you install the software utility *LaCie Network Assistant* before moving forward with the device configuration. LaCie Network Assistant gives you instant information on your LaCie NAS, such as firmware version, IP address, and hardware address. It will also provide quick access to shares (volumes) and the Dashboard. See [LaCie Network Assistant](#) for instructions.
- **Configure your NAS:** For details on how to configure and use your LaCie NAS, go to [Shares: Access and Transfer Files](#) and [NAS OS Administration](#).